

Visit our websites:
www.switch2.com

www.metersdirect.co.uk

Contact us on **+44 (0)870 999 6030**
Fax: **+44 (0)870 999 6031**
E-mail: **Sales@switch2.com**

Switch2 is geared to meet the specific demands of organisations such as:

- Local Authorities
- Public sector organisations
- MoD Establishments
- Registered Social Landlords (RSL's)
- Private Landlords
- Property Management companies
- Direct Sales Centres
- Government buildings
- Major PLCs

Accredited suppliers to:-

Exor

We are members of:-

ESTA

Constructionline

CHPA

Our metering systems qualify for Enhanced Capital Allowances



ISO 9001
REGISTERED FIRM
Certificate No. GB2001998

INTERNATIONAL
ACCREDITATION BOARD
Registration No. 004411

Switch2 Mini C.I.U.

A Complete District Heating Control Station for Heating and Hot Water Supply



Direct Connecting

Easy to Install

Accuracy for Metering

Accuracy for Billing

Consumer Interface Unit

The Switch2 Energy Solutions Mini Consumer Interface Unit (CIU) is a complete ready-to-install district heating substation for heating and hot water. Specifically designed for district heating systems with centrally located boiler plant with 2-pipe primary pipe work networks. All components are easily accessible for inspection and servicing.

The CIU offers a compact and robust, high performance interface between the central boiler plant and each individual dwelling. This allows residents to have individual control of their heating and hot water requirements via the control valves located within the unit.

Domestic hot water is heated completely separately in a high-capacity heat exchanger, thus ensuring that the hot water is always

as fresh as the incoming cold water from the mains supply.

The CIU also comes with an integral heat meter that allows each dwelling to be individually and accurately metered and billed for their heat use.

The Switch2 Mini represents the very latest in modern technology and meets the demands on long term performance. The plates and the pipe in the plate heat exchanger are made of acid-resistant stainless steel. All components are adjusted together and undergo thorough function testing in accordance with ISO 9001.

The Switch2 CIU is an OEM product from a reputable Scandinavian manufacturer

The CIUs are delivered with a white powder coated sheet steel cover complete with internal insulation.

Schemes will benefit by

Reduced time and installation costs in the dwelling

Standardisation throughout the scheme

Modular construction for ease of maintenance

Specifically designed and manufactured to rigorous quality assurance standards.

Direct and indirect domestic hot water configurations

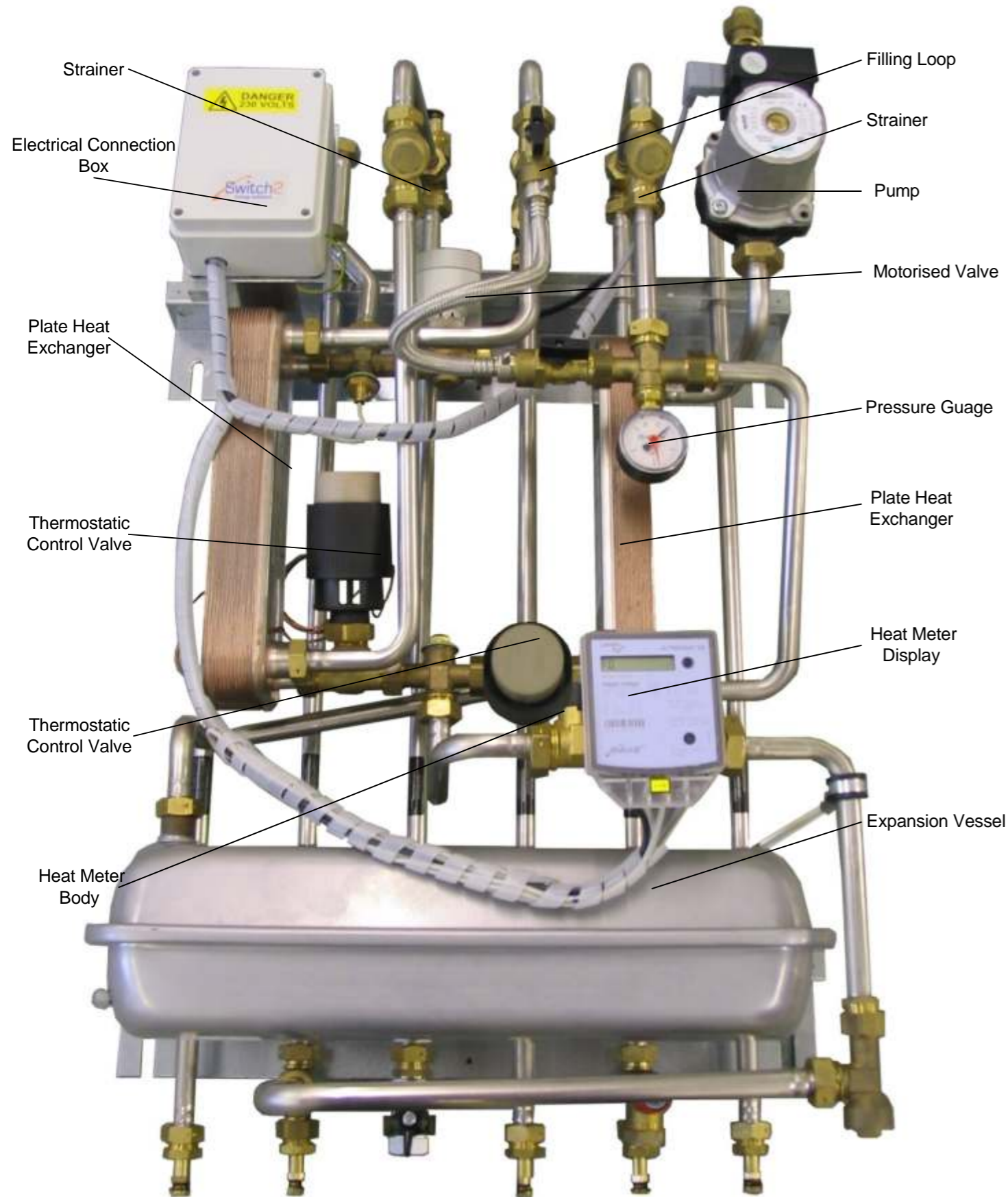
Switch2 Energy Solutions Limited

High Mill, Mill Street, Cullingworth
Bradford, West Yorkshire, BD13 5HA, UK

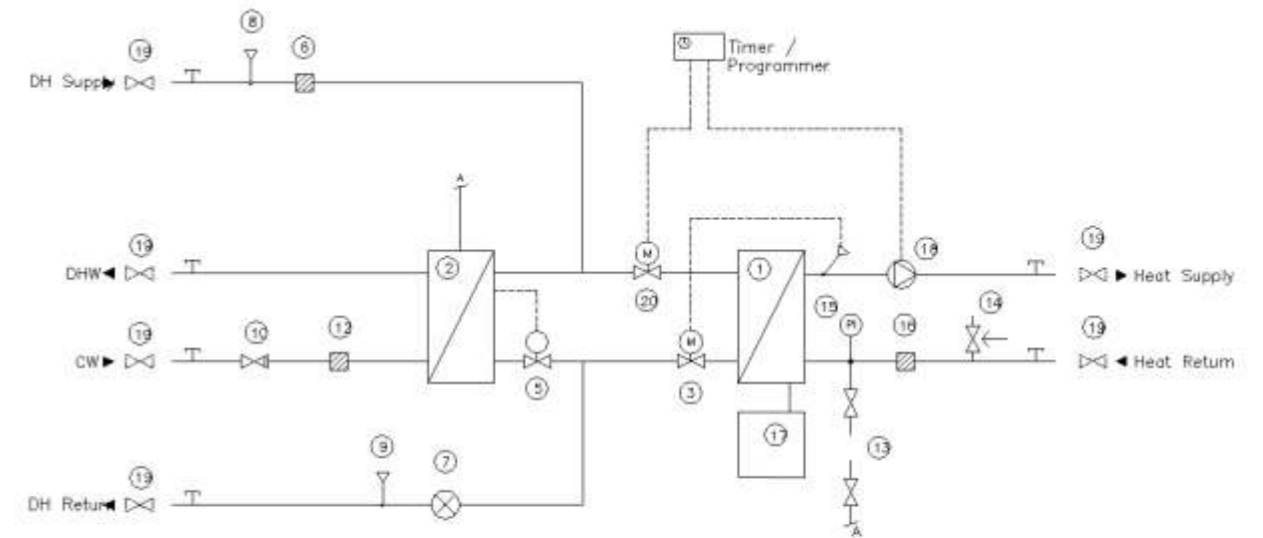


Switch2 Energy Solutions Ltd

Switch2 Mini - Board Layout



Schematic Layout



- 1. Heat exchanger for heating
- 2. Heat exchanger for hot water
- 3. Self acting control valve for one set point, heating circuit
- 4. Flow temperature sensor, heating circuit
- 5. Temperature controller for hot water IS
- 6. Strainer for district heating medium
- 7. Adapter for energy meter
- 8. Temperature sensor connection, district heating medium supply
- 9. Temperature sensor connection, district heating medium return
- 10. Check valve and isolator for cold water.
- 11.
- 12. Strainer for cold water
- 13. Valve to top up the heating circuit
- 14. Safety valve for heating circuit
- 15. Pressure gauge for heating circuit
- 16. Strainer for heating circuit
- 17. Expansion vessel, heating circuit, 12 l
- 18. Circulation pump for heating circuit
- 19. Shut-off valves..
- 20. On/off valve with spring return

Board Connections

