

Diaphragm Gas Meter

For domestic, commercial and industrial applications



- Accurate and reliable
- Easy installation

General Information

Diaphragm meters have a tradition for an extended service life, a wide measuring stability and maintenance free operation.

Main Elements

All diaphragm gas meters have pressed steel casings with an internal and external protective coating against corrosion. A measuring module is inserted into the casing to form a complete unit. This is a magnetic coupling that transmits the meter movement to the 8-digit index counter on the front panel. The meters have a maximum allowable working pressure (WP) of 0.1 bar.

Principle Advantages

- Fire Safe to DIN 3374 and EEC requirements
- Synthetic diaphragms
- Unrestrained mounting of the measuring modules
- Temperature range of -20°C to +60°C
- 4 pole suspended magnetic coupling
- Repeatable error curve
- Ease of installation - no upstream or downstream pipe requirements

- Low noise level
- Low pressure loss

LF Pulse Output Options

All meters may be supplied with an optional LF pulse output with reed contact (volt free). This facility enable remote totalisation and is ideally suitable for energy management systems. For connection details see "LF Pulse Output Details" Data Sheet 2 which is supplied with each meter.

Installation

The gas must flow through the meter on the direction indicated on the meter. When viewed from the front looking at the index counter the gas flow is from left to right and the pipe connections should be:

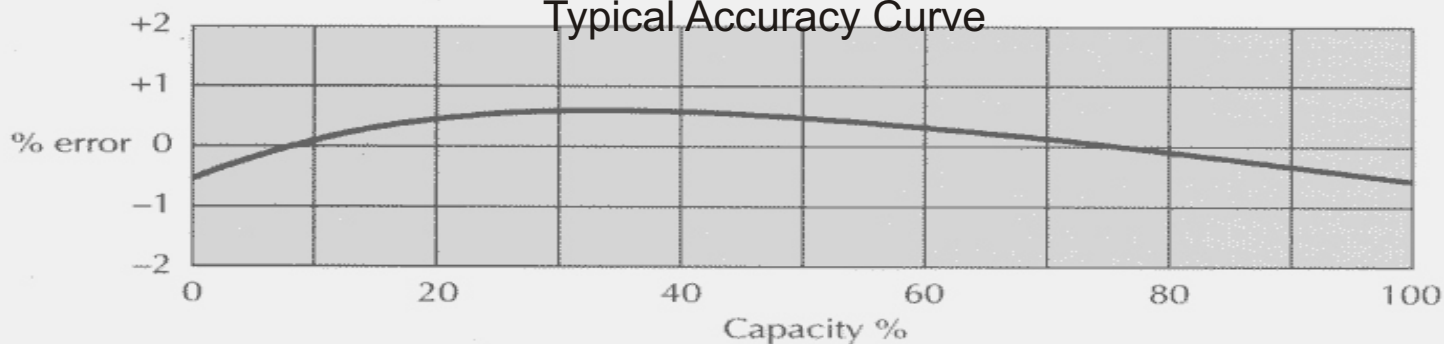
- inlet connection - left hand side
- outlet connection - right hand side

When bringing the meter into operation care must be taken that any flow control devices in the line, before or after the meter, are opened slowly. This prevents meter overload due to excessive starting speeds. The line should always be shut off gradually.

Note: Diaphragm gas meters are precision measuring instruments manufactured to exacting tolerances and should be treated accordingly. Rough handling must be avoided. Excess pressure or any impact can cause damage to the metering unit, even if the casing shows no visible damage. Note that the maximum working pressure is 0.1 bar.

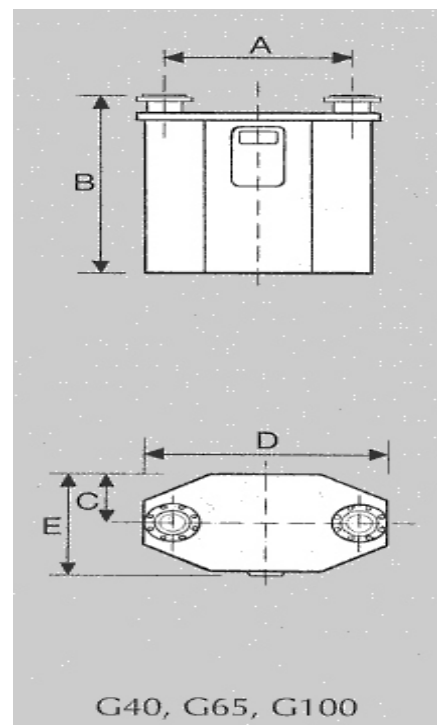
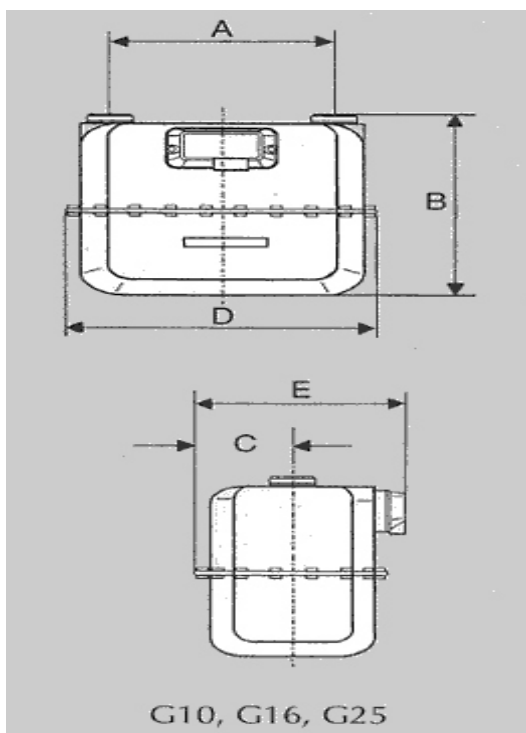
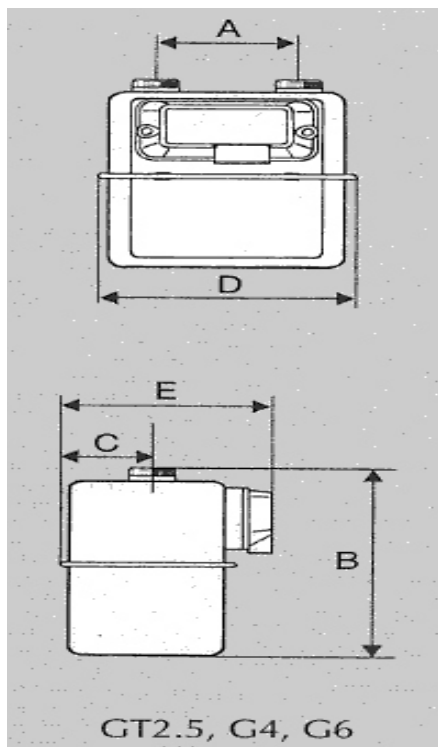


Typical Accuracy Curve



Diaphragm Meter Technical Details and Dimensions

Type	Q max m ³ /hr	Q min m ³ /hr	Max WP bar	LF Output m ³ /pulse	Size mm	Dimensions mm					Weight Kg
						A	B	C	D	E	
GT2.5	4	0.025	0.1	0.01	20 Screwed	110	212	69	208	162	1.9
G4	6	0.12	0.1	0.01	20 Screwed	152	285	50	230	165	2.9
G6	10	0.06	0.1	0.01	25 Screwed	250	291	85	330	199	4.0
G10	16	0.10	0.1	0.1	40 Screwed	280	330	108	405	234	5.7
G16	25	0.16	0.1	0.1	40 Screwed	280	330	108	405	234	5.7
G25	40	0.25	0.1	0.1	50 Screwed	335	398	138	465	299	10.0
G40	65	0.40	0.1	1.0	80 Flanged	510	675	172	684	376	66
G65	100	0.65	0.1	1.0	80 Flanged	640	870	197	840	426	90
G100	160	1.00	0.1	1.0	100 Flanged	710	1000	265	920	562	142



Switch2 Energy Solutions Limited
High Mill, Cullingworth, Bradford, West Yorkshire BD13 5HA, UK

Contact us on +44 (0)870 999 6030
Fax: +44 (0)870 999 6031
E-mail: sales@switch2.com
Websites: www.switch2.com
www.metersdirect.co.uk

