

Elite 3 phase electricity meter



The Elite 700 Series offers an unrivalled combination of accuracy and comprehensive functionality. With a range of communication options available, Elite is the professional's choice for multi-function metering.

General

- Options for Import / Export metering and 8 Rate and 8 Billing Registers
- Open circuit protection with unique current transformer shorting plug
- CALMU™ technology for reliable and consistent accuracy to IEC 61036 and BS EN 61036, CI 1.0S
- High contrast back lit LCD
- "Favourites" page allows customisation of the meter display sequence
- Optional module for four 4-20mA analogue outputs to BMS or SCADA systems
- Optional RS485 (MODBUS) communications module
- Optional multi-utility logging module, accepts three pulse inputs to provide load surveys for electricity and other utilities

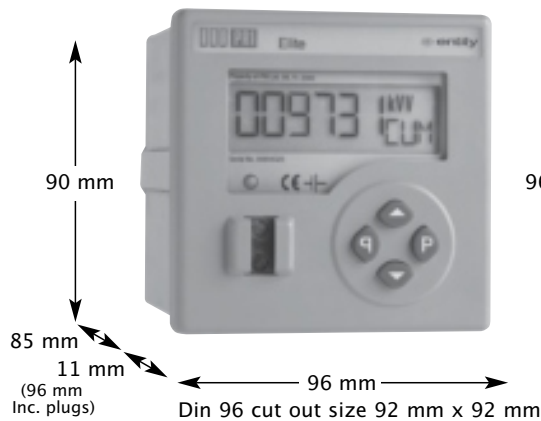
Product Range

Function	EL707025	EL707125	EL707225	EL707325	EL707425	EL708025	EL708125	EL708225	EL708325	EL708425
Voltage - ph-to-ph & ph-to-n	•	•	•	•	•	•	•	•	•	•
Current - line and neutral	•	•	•	•	•	•	•	•	•	•
Power - kW, kVA, kvar	•	•	•	•	•	•	•	•	•	•
Energy - kWh, kVAh, kvarh	•	•	•	•	•	•	•	•	•	•
Power Factor - Ave. & ph	•	•	•	•	•	•	•	•	•	•
Frequency	•	•	•	•	•	•	•	•	•	•
Max. Demand - kW & kVA	•	•	•	•	•	•	•	•	•	•
Rising Demand - kW & kVA	•	•	•	•	•	•	•	•	•	•
Time & Date (MD & Rates)	•	•	•	•	•	•	•	•	•	•
Max. & Min. Volts	•	•	•	•	•	•	•	•	•	•
Max. Amps, kW	•	•	•	•	•	•	•	•	•	•
Min. P.F. & Freq.	•	•	•	•	•	•	•	•	•	•
Export kWh & kvarh						•	•	•	•	•
Rate/Billing Registers (8 each)						•	•	•	•	•
Favourites Page	•	•	•	•	•	•	•	•	•	•
Diagnostics	•	•	•	•	•	•	•	•	•	•
Meter set-up details	•	•	•	•	•	•	•	•	•	•
kWh & kVAh pulse outputs	•	•	•	•	•	•	•	•	•	•
Analogue outputs (4 off 4-20mA)		•					•			
RS485 MODBUS			•					•		
Logging (3 off pulse inputs)				•						•
Extra pulse outputs (2 off)				•					•	



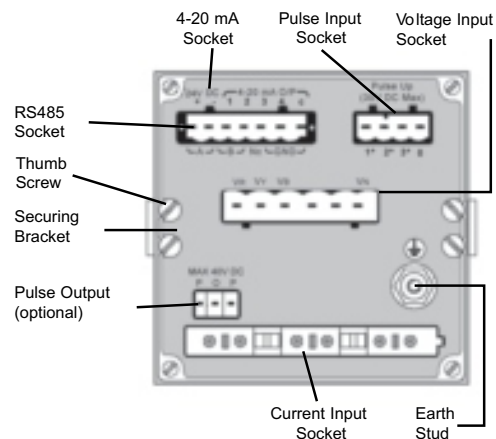
ELECTRICAL	110 V 230 V 400 V	VOLTAGES (typical)	110 V 230 V 400 V
	3 Phase 3 Phase 3 Phase	Minimum (AC)	77 V 161 V 280 V
	3 Wire 4 Wire 3 Wire	Maximum (AC)	143 V 299 V 520 V
METROLOGICAL	IEC61036:1996, CI 1.0S BSEN61036:1997, CI 1.0S	FREQUENCY	50 Hz/60 Hz
CURRENT	ALL MODEL TYPES	BURDENS (typical)	ALL MODEL TYPES
Basic	5 A or 1 A (Factory Set)	Voltage circuit (total)	Less than 2 VA
Maximum	120% I basic	5 A current circuit	Less than 1.2 VA
Starting (typical)	0.4% I basic	1 A current circuit	Less than 0.2 VA
DISPLAY	Backlit Combination LCD	DATA RETENTION	10 years without power
MECHANICAL	ALL MODEL TYPES	PULSED OUTPUTS	Type
Dimensions (mm)	W.96 x H.96 x D.96	Voltage Rating	Solid state (norm. open)
Enclosure Material	Extruded Aluminium	Current Rating	40V DC
Flame Retardation	UL 94 V0	Duration	100mA DC max
Protection	IP53 (on front panel)	Value	80 ms, 240 ms
Weight	0.65 kg (max)		x0.1, x1, x10, x100
Max. conductor size	2.5 mm ²		

General arrangement and layout

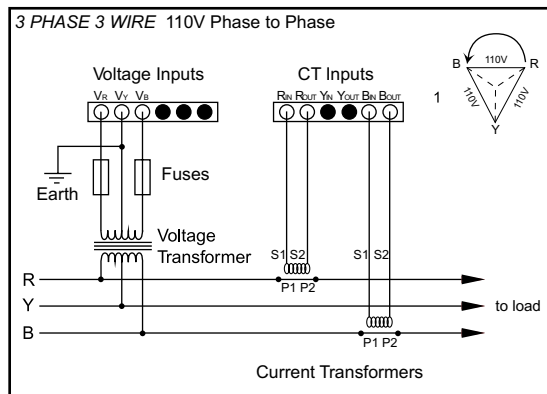
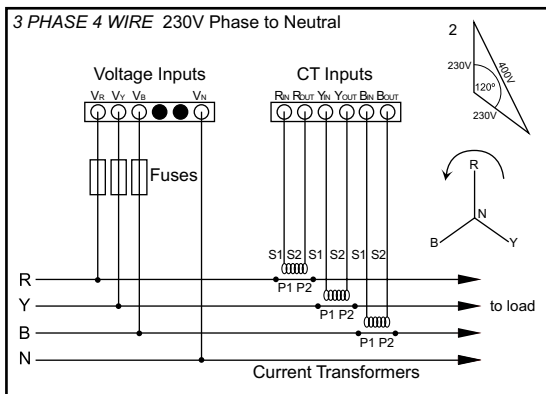


Elite backplate arrangement

*4-20mA or RS485 option connector



Typical Connection Diagrams



Switch2 Energy Solutions Limited
High Mill, Mill Street, Cullingworth
Bradford, West Yorkshire, BD13 5HA, UK

Contact us on +44 (0)870 999 6030
Fax: +44 (0)870 999 603 1
E-mail: sales@switch2.com

Visit our websites:
www.switch2.com
www.metersdirect.co.uk

