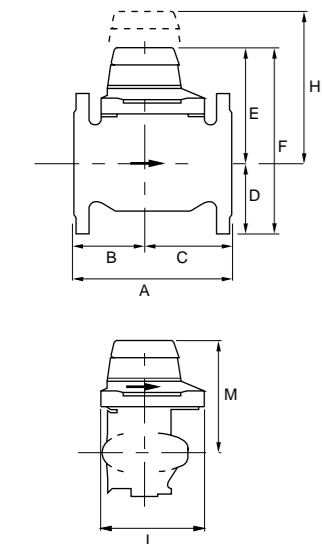


Dimensions

Nominal diameter (DN)	mm	50	65	80	100	125	150	200	250	300	400	500	
	inches	2"	2 1/2"	3"	4"	5"	6"	8"	10"	12"	16"	20"	
End connection		Flange PN 10/16						Flange PN 10 or 16					
• Meter													
A (length)	ISO	mm	200	200	200	250	250	300	350	450	500	600	800
	DIN	mm	200	200	225	250	-	300	350	-	-	-	-
	ISO long	mm	300	300	350	350	-	500	-	-	-	-	-
	AS (Australia/UK)	mm	311	-	413	-	-	-	-	-	-	-	-
B	mm	100	100	100	111	111	139	164	214	200	250	350	
C	mm	100	100	100	139	139	161	186	236	300	350	450	
D	mm	82.5	92.5	100	110	110	142.5	171	204	230	290	357.5	
E	mm	160	160	160	169	169	194	220	195	342	342	342	
F	mm	243	253	261	279	294	339	391	399	564	632	689	
G	mm	165	185	200	220	220	285	340	405	460	580	715	
H	mm	262	262	262	309	309	395	420	395	729	729	729	
Weight	kg	11.4	12.6	14.1	19.5	19.5	34	55	75	175	255	390	
• Mechanism													
L	mm	123	123	123	166	166	212	332	256	350	350	350	
I (max. Width)	mm	148	148	148	182	182	273	276	276	426	426	426	
M	mm	160	160	160	169	241	194	195	195	342	342	342	
Weight	kg	3	3	3	5.4	5.4	7.8	8.5	8.5	54	54	54	



Metrological Characteristics

- The Woltex could be installed regardless of position (EEC/ISO approval class B all positions)
- Installation of strainer upstream of the meter is recommended to protect the hydraulics against raw particles
- We recommend the installation of a flow straightener directly upstream of the meter to cancel the effects of hydraulic perturbations on Horizontal Woltmann accuracy

Woltex

Horizontal Woltmann meter with extended accuracy range for water distribution applications



The Woltex is a horizontal Woltmann meter available in sizes from DN50 to 500. With its extended accuracy range it is dedicated to all applications around water distribution where high reliability and accuracy is requested.

Extended Approved Range
Variable Qn EEC/ISO approval of Woltex ensures an unmatched approved range of 107:1 (from Qmin to Qmax) instead of 66:1 for standard class B meters.

This is ensuring accurate and reliable data collection in a large scope of flow rates typical of water network applications. Leakage detection as far as peak demands are accurately monitored initially and over time.

Endurance & Peak Flow Resistance

The extended approval is the result of more than twenty years

" Hermetically sealed register (copper can/mineral glass envelope)

" Extended range approval

" Interchangeable approved mechanisms without re-calibration

• Pre-equipped through Cyble as standard

experience in Horizontal Woltmann design, from the first hydrodynamically balanced helix patent in 1985 still resulting in unmatched endurance capabilities to the use of high quality materials.

Ease of installation, Read and Maintenance

The Woltex range is available in various lengths and connections to minimise installation costs. Interchangeable approved mechanisms allows easy maintenance without recalibration. Ease of read in the toughest environments (ie: flooded pits) is secured by orientable hermetically sealed register (copper can/mineral glass envelope).

Communication Device

Pre equipped for future communication through Cyble



Woltex M indicator



Cyble RF fitted on Woltex M with specific lid

Switch2 Energy Solutions Limited
High Mill, Cullingworth, Bradford, West Yorkshire BD13 5HA, UK

Contact us on +44 (0)870 999 6030

Fax: +44 (0)870 999 6031

E-mail: sales@switch2.com

Websites: www.switch2.com

www.metersdirect.co.uk

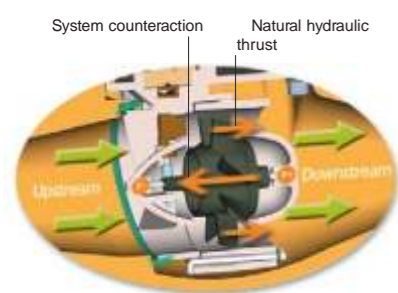
Registered in England 2409803

© Switch2 Energy Solutions Limited



Switch2 Energy Solutions Ltd

Working Principle



Hydrodynamic balance of helix

The water velocity is rotating the horizontal axis propeller. Special shape of its inlet and outlet bearing **1** is counteracting the natural hydraulic thrust applied on the propeller then prevent any downstream pivot wear.

This hydrodynamic balance was firstly patented on the Woltex range in 1985 and still features Woltex with unmatched enduring capacities. This results in a meter able to withstand sustained high flows without impacting low flow accuracy. This allows Woltex to be approved according the provisions of EEC/ISO with variable Qn extended range.

The propellor rotation is transmitted by a protected transmission and direct magnetic coupling **2** to the register.

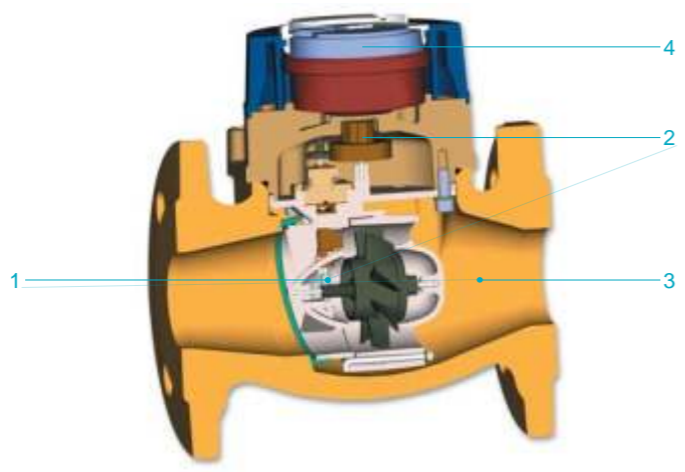
The cast iron double body **3** is durably protected against the effects of corrosion by epoxy powder coating.

The hermetically sealed copper can/mineral glass register **4** is safeguarding the read and integrity of the indicator in the toughest environments (flooded pits, mechanical tampering attempts...)

Communication

W³MÓsùÉcpf£)ÃzÖlá|x],By
-òMÓ.Š\$€U%€æø}• ,RyÖn

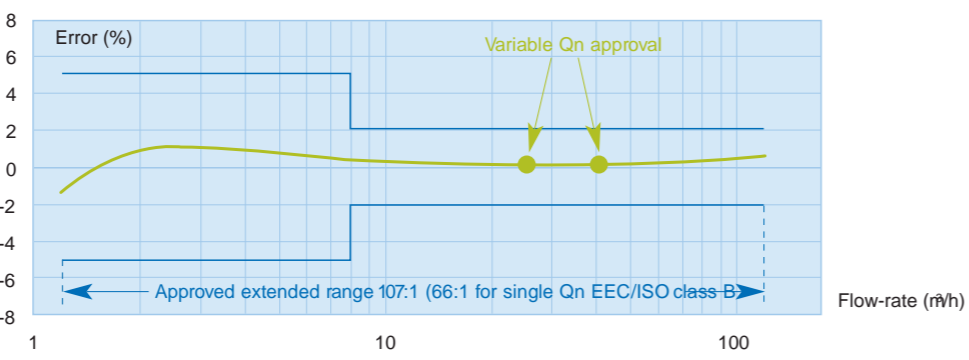
@f¹μóy-Qey-e£>Ã|°6Dj
Ífzš4°Š\$¾Y«EÉQë»UðŠ\$
ŠAù7ÖWòœ-FìR"\"ö@Íí€μó^ø
£={>k°%dp¶¶<Fà™3¹ìg~
ñ<%Pxp„,Tî"¼W•ÓYUÝw0ÉF
-f>Ä"ñh »@<~



Variable Qn Approved Range

WòœÉdêæ\$¾w—ªEBy1i*ás51¶¶<öV
Écj<z-3i#©CÉcyfÁ\ò*ñî#
ø°6Dv".p-Që) ÍÆ`žVðv«0n-èq=1
:ÀZôŽ«EBeÿ™x•ú"

WòœÊPê°TÚtPd[õ-GD".Èbü,-<Â¹
:Ôèü-fæ\÷- 5íi%oBÜvNÔæ\÷-
-0Éf;y™Ri†ÁJFázJájŠ%çYóy™i
,Ri† »UÛ`t".p,~2ì...¥u-Çaç P
-Ôn>ÛUí%o©ç,Z-e[á™4¹Tî¾Xpdu
Íf> Ûs±Kñ%o\$¾ü



Metrological Characteristics

Typical Performance

Nominal diameter (DN)	mm	50	65	80	100	125	150	200	250	300	400	500	
	Inches	2"	2" 1/2	3"	4"	5"	6"	8"	10"	12"	16"	20"	
Starting flow rate*	m³/h	0.19	0.22	0.3	0.38	0.4	1	1.6	3	10	15	20	
Accuracy ± 2% from*	m³/h	0.35	0.6	1.2	1.5	1.5	3	3.5	5	15	30	40	
Accuracy ± 5% from*	m³/h	0.4	0.5	0.75	0.9	1.2	1.5	2.5	3.5	12	25	30	
Admissible peak flow (10' max.)	m³/h	90	200	250	300	300	700	1 000	1 500	2 500	4 500	7 000	
Max. admissible flow rate (continuous)	m³/h	50	80	120	200	200	500	800	1 200	2 000	3 000	5 000	
Head loss at Qm	bar	0.2	0.5	0.55	0.23	0.23	0.15	0.12	0.12	0.2	0.17	0.3	
Max. admissible temperature	°C	50											
Max. admissible pressure	bar	20											
Min. scale interval	L	0.5					5				50		
Indicating range	m³	999999.99					9999999.9				99999999		
Cyble HF pulse weight	L	10					100				1 000		

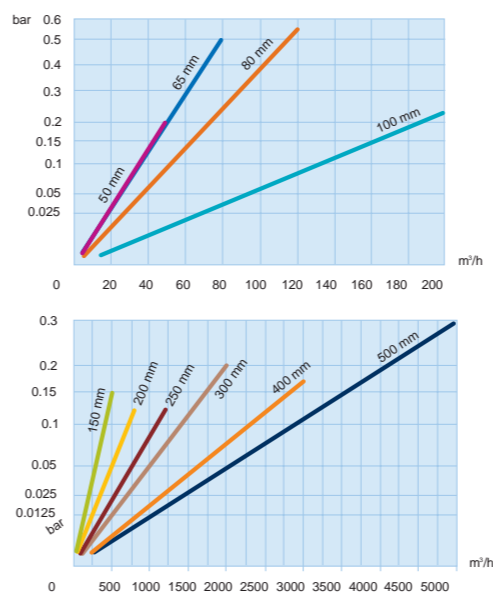
* Average values.

EEC Approval Values

Nominal diameter (DN)	mm	50	65	80	100	125	150	200	250	300	400	500
	inches	2"	2" 1/2	3"	4"	5"	6"	8"	10"	12"	16"	20"
EEC/ISO class approval												
Class B all positions												
Nominal flow rate Qn (variable)	m³/h	25	25	40	60	100*	150	250	400	600	1 000	1 500
		15	40	60	100	-	250	400	600	1 000	1 500	2 500
Max. flow rate Qmax	m³/h	50	80	120	200	200	500	800	1 200	2 000	3 000	5 000
Accuracy ± 2% class B: Qt from	m³/h	3	5	8	12	20	30	50	80	120	200	300
Accuracy ± 5% class B: Qmin from	m³/h	0.45	0.75	1.2	1.8	3	4.5	7.5	12	18	30	45
Max. working pressure	bar	20										
Max. temperature	°C	30										
EEC approval certificate		F-02-G071										

* DN 125 single Qn approval only.

Head Loss



Variants and Options

Hot water up to 130°C – high pressure PN40 versions available on request.

Wire sealed metallic cap equipped with a lockable lid is available as an option for harsh environments.

